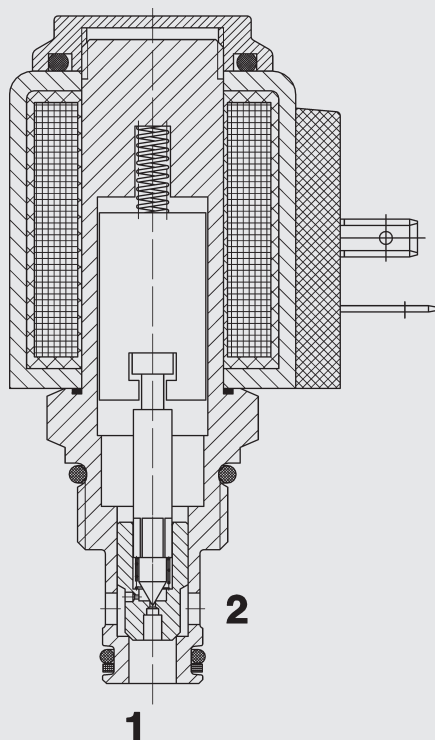


FUNCTION



When the solenoid coil is not energized, the valve is closed from port 2 to port 1. There is free flow from port 1 to 2.

When energized, there is free flow through the valve from port 2 to port 1. Flow from port 1 to 2 is prevented.

2/2 Solenoid Directional Valve **UNF** Poppet Type, Pilot-Operated Normally Closed **SAE-08 Cartridge – 350 bar** WS08Z-01

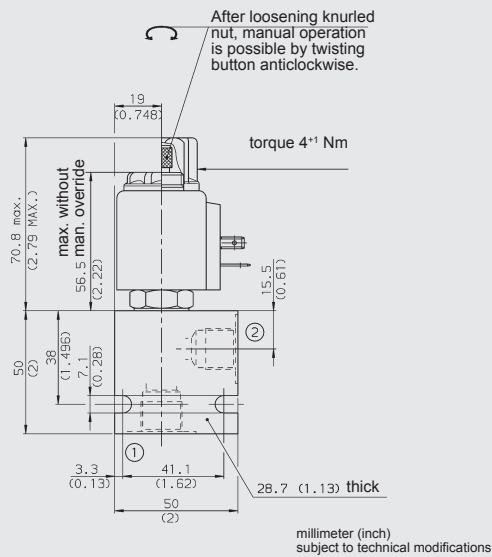
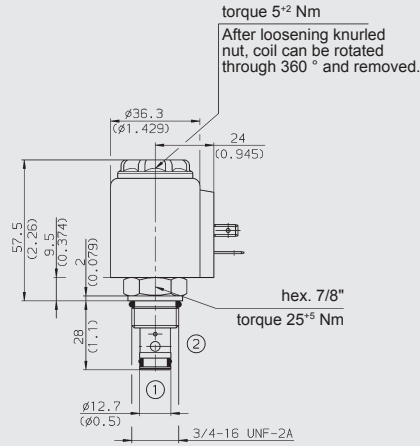
FEATURES

- External surfaces zinc-plated and corrosion-proof
- Hardened and ground internal valve components to ensure minimal wear and extended service life
- Coil seals protect the solenoid system
- Wide variety of connections available
- Excellent switching performance by high power HYDAC solenoid
- Low pressure drop due to CFD optimized flow path

SPECIFICATIONS

Operating pressure:	max. 350 bar	
Nominal flow:	max. 38 l/min	
Leakage:	Leakage-free (max. 5 drops = 0,25 cm ³ /min at 350 bar)	
Media operating temperature range:	min. -20 °C to max. +100 °C	
Ambient temperature range:	min. -20 °C to max. +60 °C	
Operating fluid:	Hydraulic oil to DIN 51524 Part 1 and 2	
Viscosity range:	min. 7.4 mm ² /s to max. 420 mm ² /s	
Filtration:	Class 21/19/16 according to ISO 4406 or cleaner	
MTTF _d :	150 years (see "Conditions and instructions for valves" in brochure 5.300)	
Installation:	No orientation restrictions	
Materials:	Valve body:	steel
	Closing elements:	hardened and ground steel
	Seals:	NBR (standard) FKM (optional, media temperature range -20 °C to 120 °C)
	Back-up rings:	PTFE
Cavity:	FC08-2	
Weight:	Valve complete	0.33 kg
	Coil only	0.19 kg
Electrical data:		
Switching time:	energized:	approx. 35 ms
	de-energized:	approx. 50 ms
Type of voltage:	DC solenoid, AC voltage is rectified using a bridge rectifier built into the coil	
Current draw at 20 °C:	1.5 A at 12 V DC 0.8 A at 24 V DC	
Voltage tolerance:	± 15% of the nominal voltage	
Coil duty rating:	Continuous up to max. 115% of the nominal voltage at 60 °C ambient temperature	
Coil type:	Coil...-40-1836	

DIMENSIONS



MODEL CODE

WS08Z-01 M-C-N-24 DG

Basic model _____
Directional poppet valve, UNF

Type _____
01 = standard

Manual override _____
No details = without manual override
M = manual override

Body and parts* _____
C = Cartridge only
SB3 = G3/8 ports, steel body
AB3 = G3/8 ports, aluminium body
Versions with line bodies on request

Seals _____
V = NBR (standard)
N = FKM (optional)

Coil voltage _____
DC voltages
12 = 12 V DC
24 = 24 V DC
AC voltages (bridge rectifier built into the coil)
115 = 115 V AC
230 = 230 V AC
Other voltages on request

Coil connectors (type 40-1836) _____
DC: DG = DIN connector to EN 175301-803
DK = KOSTAL threaded connection M27x1
DL = 2 flying leads, 457 mm long, 0.75 mm²
DN = Deutsch connector, 2-pole, axial
DT = AMP Junior Timer, 2-pole, radial
AC: AG = DIN connector to EN 175301-803
other connectors on request

Standard models

Model code	Part No.
WS08Z-01-C-N-24DG	561579
WS08Z-01-C-N-230AG	3043403

Other models on request

* Standard in-line bodies

Code	Part No.	Material	Ports	Pressure
FH082-SB3	560919	Steel, zinc-plated	G3/8	420 bar
FH082-AB3	3011423	Aluminium, clear anodized	G3/8	210 bar

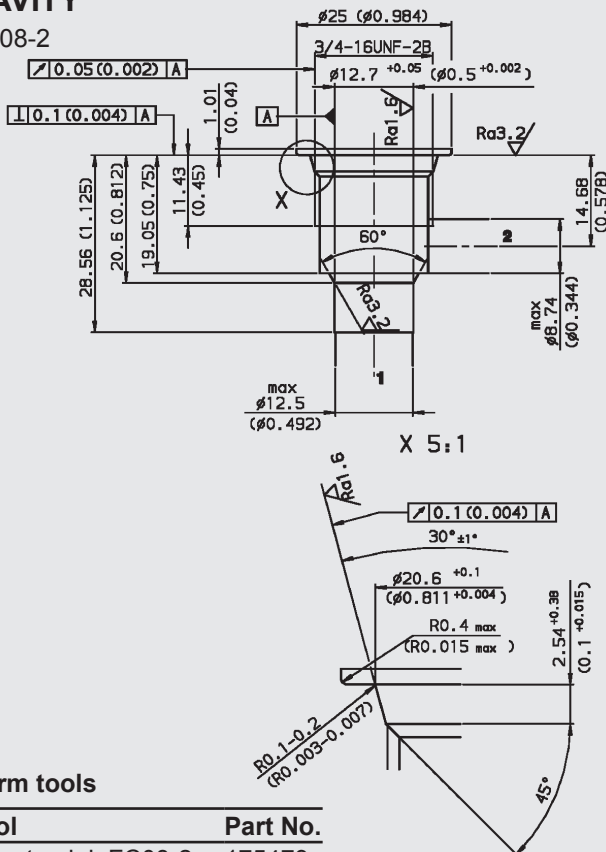
Other housings on request

Seal kits

Code	Material	Part No.
FH082-N SEAL KIT	NBR	3033920
FH082-V SEAL KIT	FKM	3051756

CAVITY

FC08-2



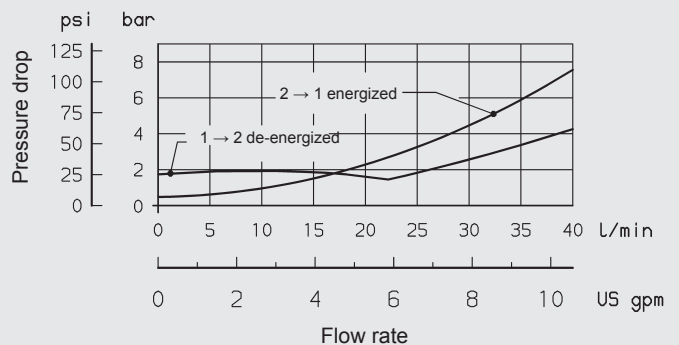
Form tools

Tool	Part No.
Countersink FC08-2	175473
Reamer FC08-2	175474

millimeter (inch) subject to technical modifications

PERFORMANCE

Measured at $v = 34 \text{ mm}^2/\text{s}$, $T_{\text{oil}} = 46^\circ \text{C}$



NOTE

The information in this brochure relates to the operating conditions and applications described. For applications or operating conditions not described, please contact the relevant technical department.
Subject to technical modifications.

HYDAC Fluidtechnik GmbH
Justus-von-Liebig-Str.
D-66280 Sulzbach/Saar
Tel: 0 68 97 /509-01
Fax: 0 68 97 /509-598
E-Mail: flutec@hydac.com