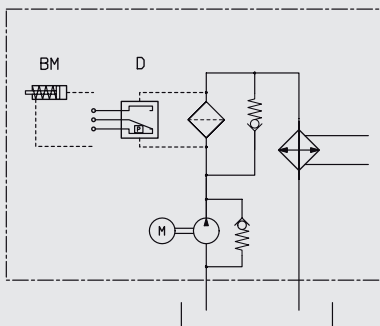




Pump-Transfer Cooler Filtration Unit UKF

Symbol



General

The UKF unit is a compact, easy-to-install system for offline filtration cooling circuits. It consists of a low-noise feed pump, a filter and a plate heat exchanger.

Product features

Continuous cooling and offline filtration extend the service life of the oil and of the hydraulic system. The offline unit ensures constant oil temperature – regardless of the cycle times of the hydraulic systems. Furthermore, consistent flow rates prevent pressure spikes in the heat exchanger.

Area of application

- Plastic injection moulding machines
- Pressing / Stamping
- Machining centres
- Hydraulic systems
- Gears

Operating data

General			
Ambient temperature	+10 °C to +40 °C		
Volumetric efficiency	>90 % at v = 40 mm ² /s		
Mounting position	UKF-1: Optional, but easier to maintain if filter below pump UKF-2 / UKF-3: vertical		
Noise levels	UKF-1: <64 dB(A) at 1,500 1/min		
	UKF-2 / UKF-3:		
	Pump [cm ³ /rev]	1 bar	6 bar
	15	61	61
	20	61	61
	30	61	62
	40	62	63
	50	64	66
	70	67	68
	100	68	70
	130	70	72

(Test medium: ISO VG46 at +40 °C)

The noise levels are only a guide as the acoustic properties of a room, connections, viscosity and reflections have an effect on the noise level.

Pump	
Suction pressure across the suction connection	max. -0.4 bar to 0.5 bar
Operating pressure (oil side)	max. 6 bar
Medium (oil side)	Mineral oil to DIN 51524 Part 1 and Part 2
Temperature range (oil side)	+10 °C to +80 °C
Permissible contamination (oil side)	≤NAS12 or ISO4406: 22/21/18
Max. viscosity	see viscosity-temperature graph
Drive	
Motor	Three-phase electric motor Insulation class: F Protection class: IP55
Speed	1,500 / 1,800 1/min (50/60 Hz)

Heat exchanger	
Heat exchanger connections:	Female thread (max. tightening torque 160 Nm) The pipes must be connected so that the connections are stress-free. Linear expansion and vibrations from the pipes to the heat exchanger must be avoided.
Medium (water side):	<ul style="list-style-type: none"> ● Water glycol (HFC) ● Water ● Oils
Temperature range (water side)	+5 °C to +60 °C
Operating pressure (water side):	max. 30 bar
Permissible contamination (water side)	The level of particles in suspension should be less than 10 mg/l. Particle size <0.6 mm (spherical) Thread-like particles cause a rapid increase in pressure losses.
Water quality	The following ions are not corrosive under normal conditions: phosphate, nitrate, nitrite, manganese, sodium and potassium also see table on water quality

Design

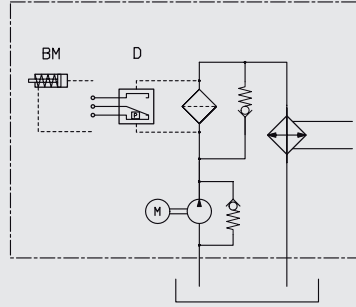
There are different versions possible depending on the requirements:

- UF** – Feed pump with filter
- UK** – Feed pump with plate heat exchanger
- UKF** – Feed pump with filter and plate heat exchanger

Offline unit consisting of:

- Low-noise feed pump
- Filter
- Oil-water plate heat exchanger
- The circuit is fitted with check valves to isolate the filter when used with a positive head tank when changing the filter element

UKF-1

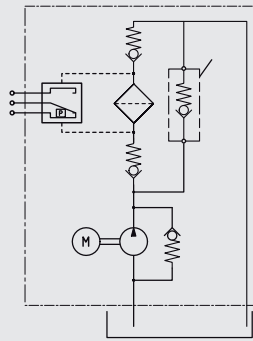


Flow rate: 5 – 15 l/min

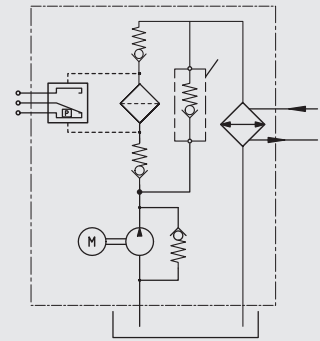
Motor rating: 0.37 – 0.55 kW

Cooling capacity*: up to 10 kW

UKF-2



UF (without heat exchanger)



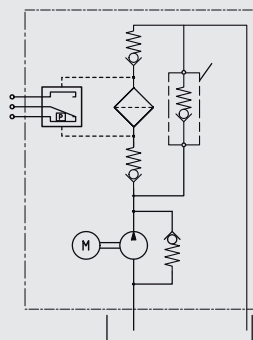
UKF

Flow rate: 15 – 60 l/min

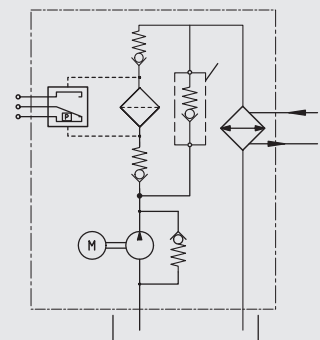
Motor rating: 0.75 – 1.5 kW

Cooling capacity*: up to 30 kW

UKF-3



UF (without heat exchanger)



UKF

Flow rate: 20 – 200 l/min

Motor rating: 1.5 – 4 kW

Cooling capacity*: up to 90 kW

* Dependent on temperature difference and flow rate of the cold and warm medium (see also "Pump-Transfer Cooler Filtration Unit Selection").

Water quality

The following limits are based on a water temperature of +60 °C.

Substances dissolved in water	Concentration	Stainless steel	Copper
pH value	<6.0	0	0
	6.0 – 9.0	0/+	+
	>9.0	+	0
Electrical conductivity	<500 [μ S/cm]	+	+
	>500 [μ S/cm]	+	0
Cl ⁻	<300	+	+
		0	0
SO ₄ ⁻²	<50	+	+
	50 – 300	+	0
	>300	0	0
CaCO ₃	<50	+	+
	>50	0	0
Fe	<0.3	+	+
	>0.3	+	0
NH ₃	<2	+	+
	2 – 20	+	0
	>20	+	0
NO ₃	<100	+	+
	>100	+	0
S ⁻²	Not suitable		
SiO ₂	<30	+	+
NH ₄ ⁺	<0.1	+	+
Free chlorine	<0.1	+	+
CO ₃ ⁻²	<0.4	+	+

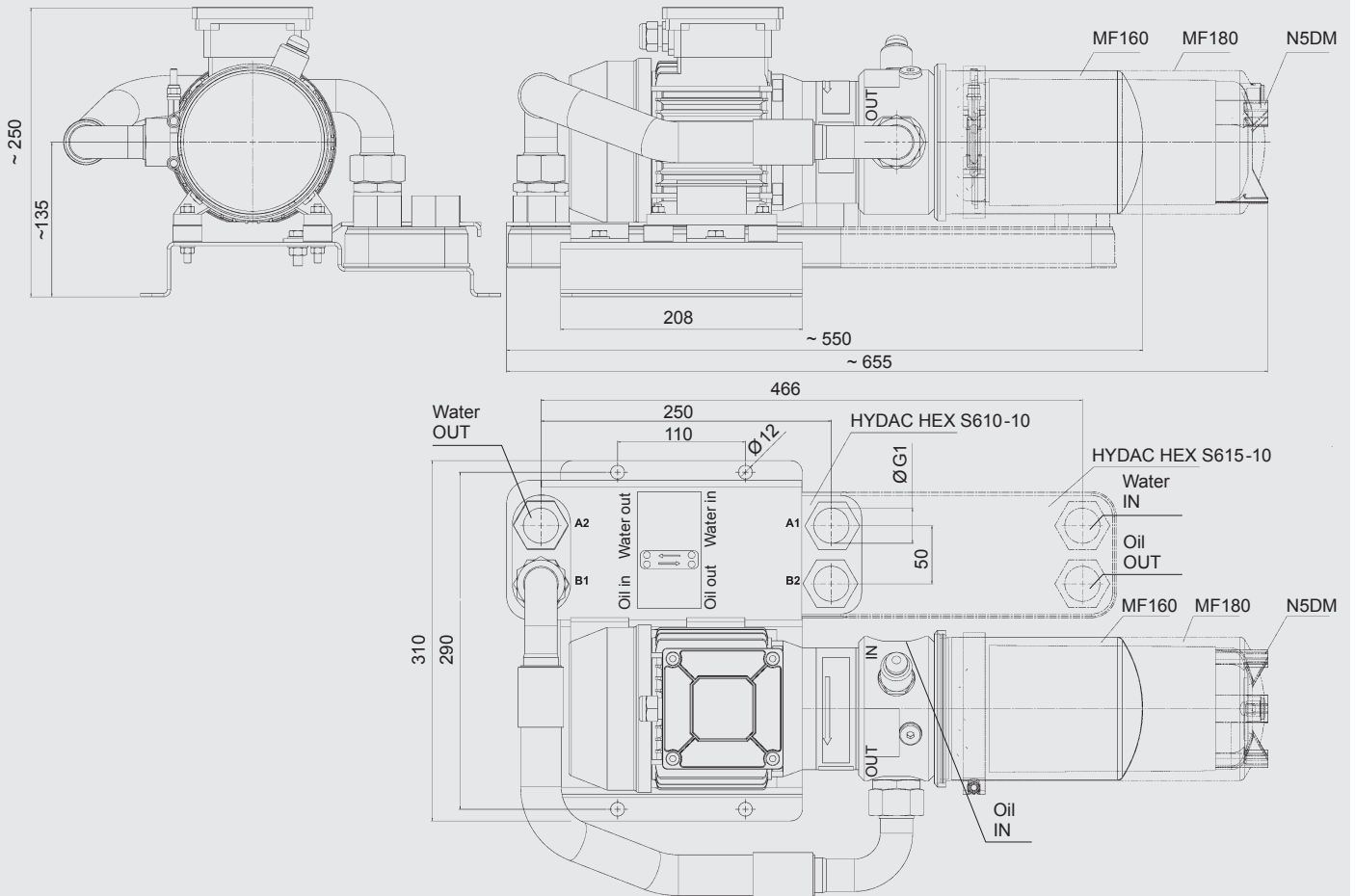
0: Corrosive

+: Suitable

Dimensions / Weight

UKF-1

Clearance for filter element removal approx. 50 mm



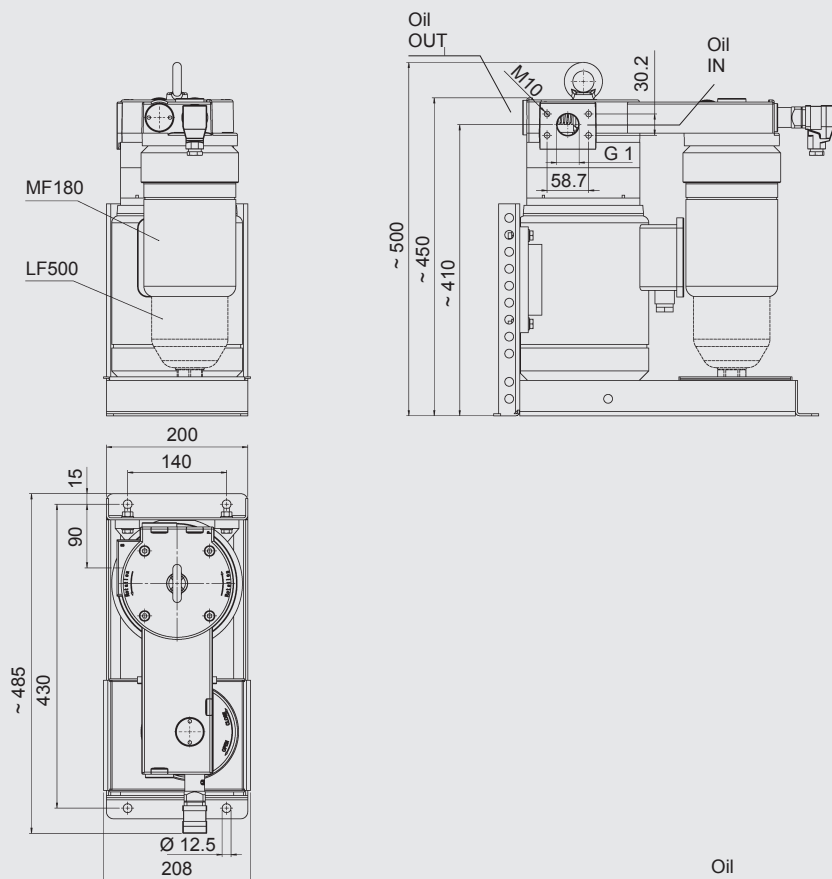
Weight (unfilled)

Basic unit (motor-pump unit + filter) + heat exchanger

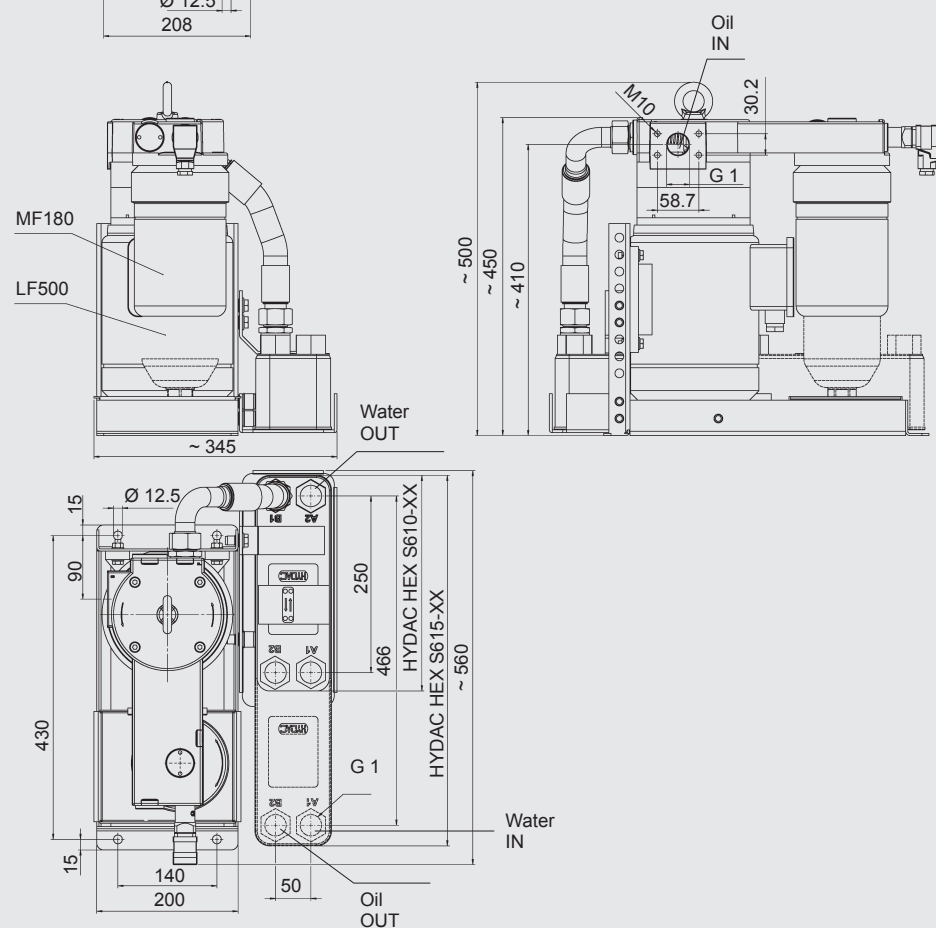
Motor-pump unit	Heat exchanger
Basic unit: 12 kg	610-10: 3 kg
	610-20: 5 kg
	615-10: 6 kg
	615-20: 8 kg

UKF-2

UF-2



UKF-2



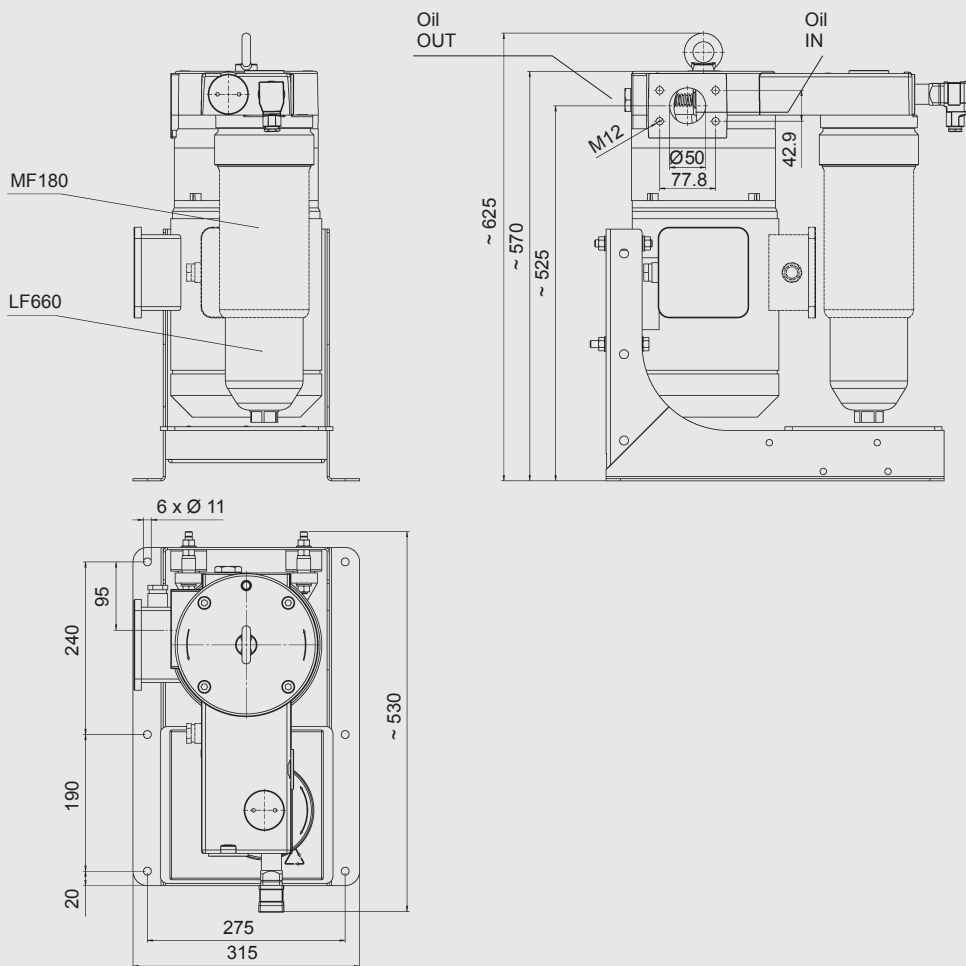
Weight (unfilled)

Motor-pump unit + heat exchanger + filter

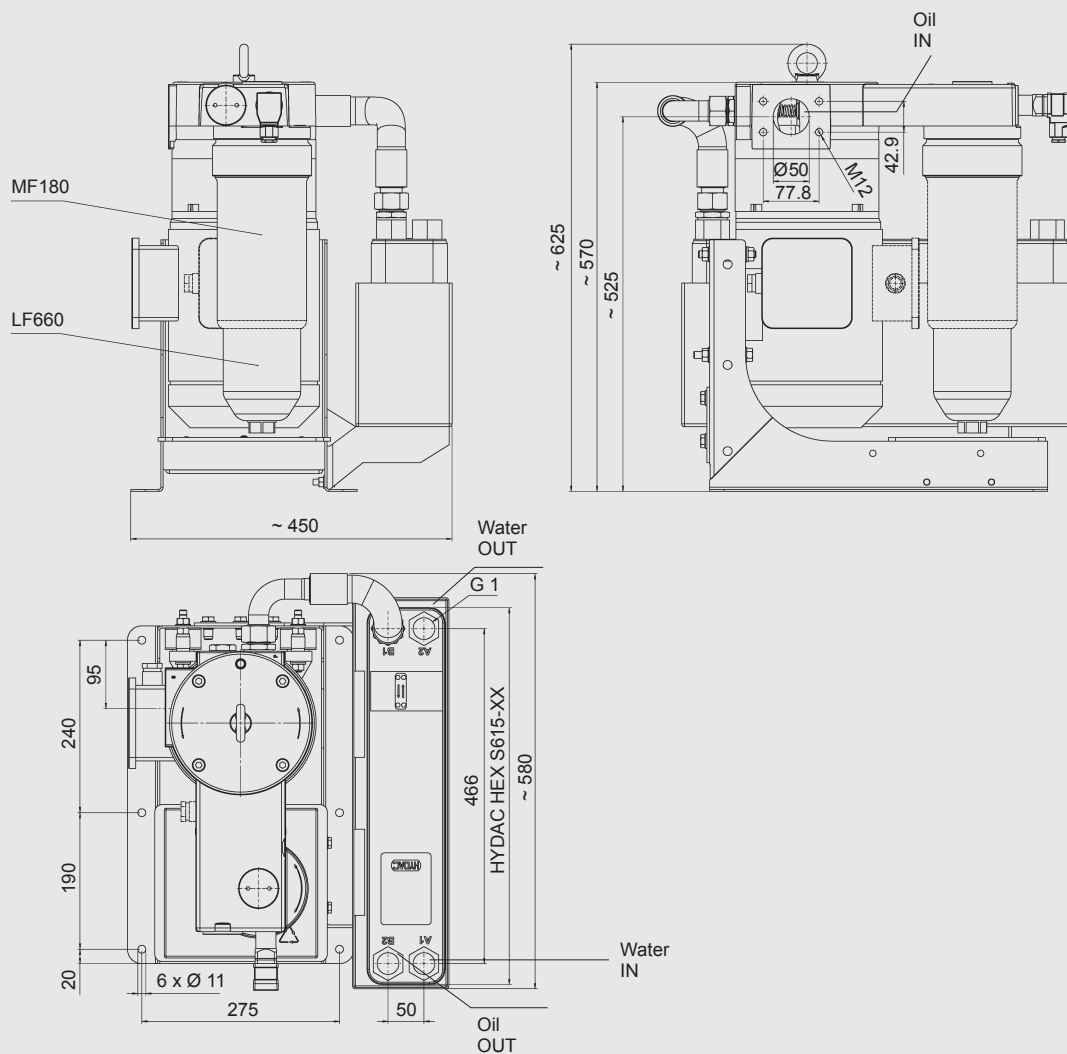
Motor-pump unit	Heat exchanger	Filter
0.75 kW: 16 kg	610-20: 11 kg	MF180: 2 kg
1.5 kW: 20 kg	610-40: 14 kg	LF330: 5 kg
	615-20: 14 kg	LF500: 7 kg
	615-40: 18 kg	

UKF-3

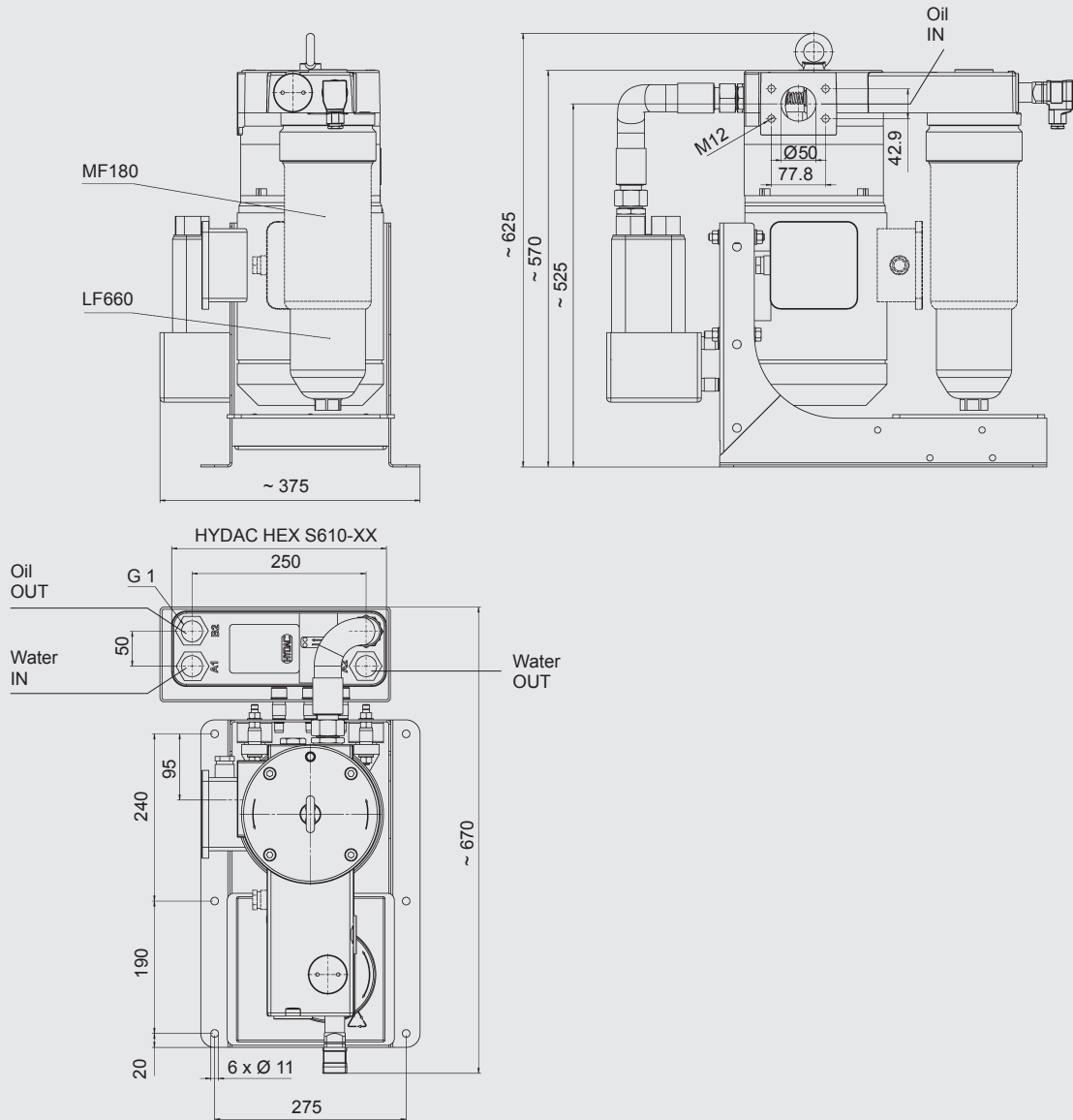
UF-3



UKF-3



UKF-3



Weight (unfilled)

Motor-pump unit + heat exchanger + filter

Motor-pump unit	Heat exchanger	Filter
1.5 kW: 44 kg	610-20: 11 kg	MF180: 2 kg
2.2 kW: 48 kg	610-40: 14 kg	LF330: 5 kg
4 kW: 52 kg	610-70: 17 kg	LF500: 7 kg
	610-100: 22 kg	LF660: 8 kg
	610-120: 25 kg	
	615-20: 14 kg	
	615-40: 18 kg	
	615-60: 24 kg	
	615-80: 30 kg	

Model Code

UKF-2 - 1.0 - P - 40 - 1.5 - 610-40 - MF180 - 10 - D

Type

UKF = Pump + heat exchanger + filter
 UF = Pump + filter
 UK = Pump + heat exchanger

Version

1.0 = Heat exchanger series 610
 2.0 = Heat exchanger series 615
 1.2 / 2.2 = With filter bypass

Seals

P+V = Static seal Perbunan + Dynamic seal Viton
 P = Static and dynamic seal Perbunan

Pump flow rate: cm³/revolution

	cm ³ /revolution	1,000 1/min	1,500 1/min
UKF-1	3.5	5 l/min	
	5	7.5 l/min	
	7	10 l/min	
	10	15 l/min	
UKF-2	15	15 l/min	20 l/min
UKF-2 / UKF -3	20	20 l/min	30 l/min
	30	30 l/min	45 l/min
	40	40 l/min	60 l/min
UKF-3	50	50 l/min	75 l/min
	60	60 l/min	90 l/min
	70	70 l/min	105 l/min
	100	100 l/min	150 l/min
	130	130 l/min	180 l/min

Motor

UKF-1	0.37 kW	@ 1,500 1/min
	0.55 kW	@ 1,500 1/min
UKF-2	0.75 kW	@ 1,500 1/min
UKF-2 / UKF -3	1.1 kW	@ 1,000 1/min (6-pole motor)
	1.5 kW	@ 1,500 1/min
UKF-3	2.2 kW	@ 1,500 1/min
	2.2-6p kW	@ 1,000 1/min (6-pole motor)
	4 kW	@ 1,500 1/min
	4-6p kW	@ 1,000 1/min (6-pole motor)

Plate heat exchanger – No. of plates

610	-10	-20	-30	-40	-50	-60	-70	-100	-120
UKF-1	•	•							
UKF-2		•	•	•					
UKF-3		•		•	•	•	•	•	•

615	-10	-20	-30	-40	-60	-80
UKF-1	•	•				
UKF-2		•	•	•		
UKF-3		•		•	•	•

Other plate heat exchangers on request.

Filter

	N5AM/DM	MF160	MF180	LF330	LF500	LF660
UKF-1	•	•	•			
UKF-2			•	•		
UKF-3			•	•	•	•

Filtration rating

-03 = 3 µm
 -05 = 5 µm
 -10 = 10 µm
 -20 = 20 µm

For further details on filter elements, see relevant brochure in Fluid Filters catalogue.

Differential pressure of clogging indicator

D = visual-electrical

Additional clogging indicators on request, see relevant brochure in Fluid Filters catalogue.

Pump-Transfer Cooler Filtration Unit Selection

Determining the cooling capacity

Estimating the cooling capacity requirements for mineral oil based on increase in tank temperature

$$p = \frac{\Delta T \times V}{t} \times \frac{1}{35}$$

p = heat dissipation [kW]

ΔT = temperature increase in the reservoir [K]

V = tank capacity [l]

T = operating time [min]

Example:

In an system, the tank temperature rises from +20 °C to +70 °C (= 50 K) in 30 minutes.

The tank volume is 100 l.

$$p = \frac{50 \times 100}{30} \times \frac{1}{35}$$

$$p = 4.8 \text{ [kW]}$$

Estimating the cooling capacity requirement based on installed electrical power

$p \approx \frac{1}{4} \times$ installed electrical power

Calculating the oil and water outlet temperature

Drop in oil temperature:

$$\Delta T \approx \frac{p}{Q_{\text{Oil}}} \times 36$$

Increase in water temperature:

$$\Delta T \approx \frac{p}{Q_{\text{Water}}} \times 14.4$$

p = Cooling capacity [kW]

Q_{Oil} = Oil flow rate [l/min]

Q_{Water} = Water flow rate [l/min]

Selection of the plate heat exchanger:

A sizing program is available to calculate accurately the required cooling capacity and a suitable plate heat exchanger. For this, five of the following seven variables are required:

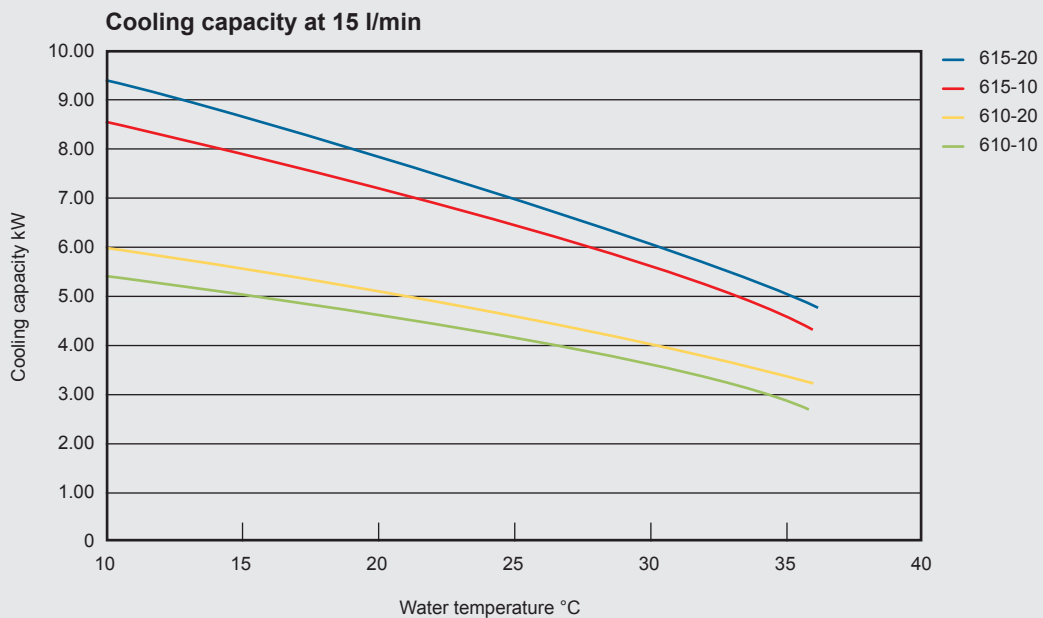
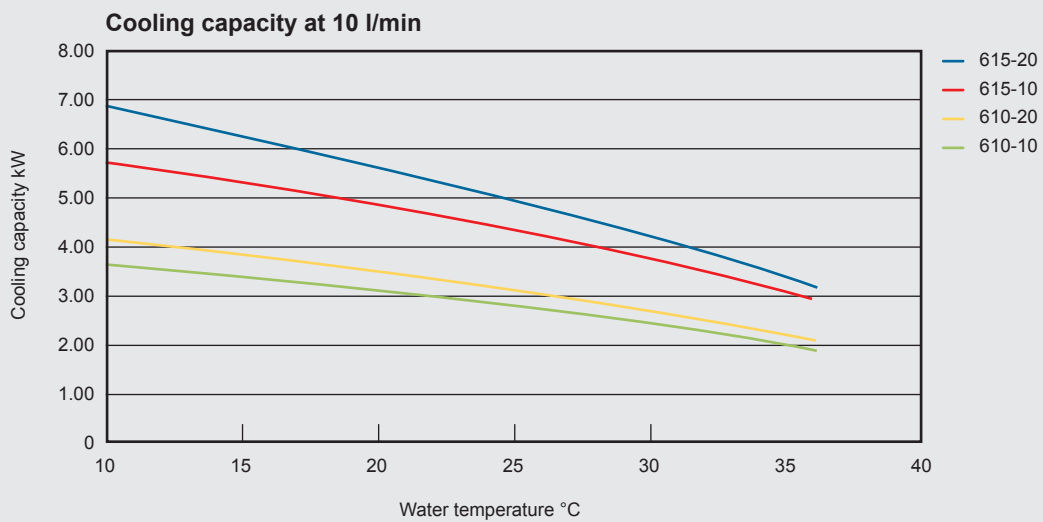
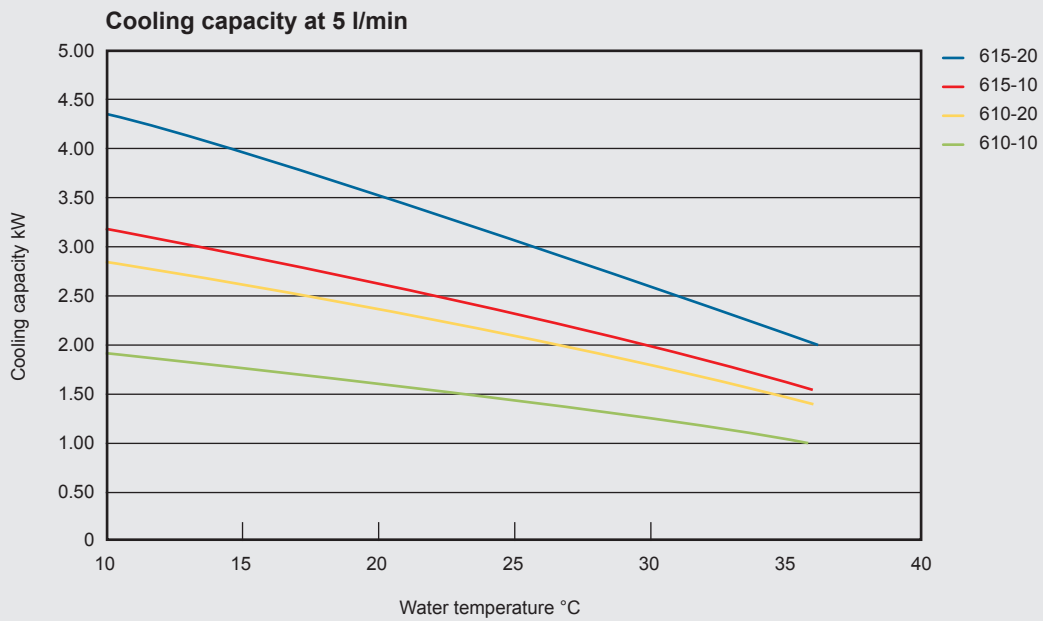
- Oil inlet and outlet temperature
- Oil flow rate
- Water inlet and outlet temperature
- Water flow rate
- Cooling capacity

Additionally, the viscosity of the oil is required.

The following graphs show the selection of plate heat exchangers based on cooling capacity.

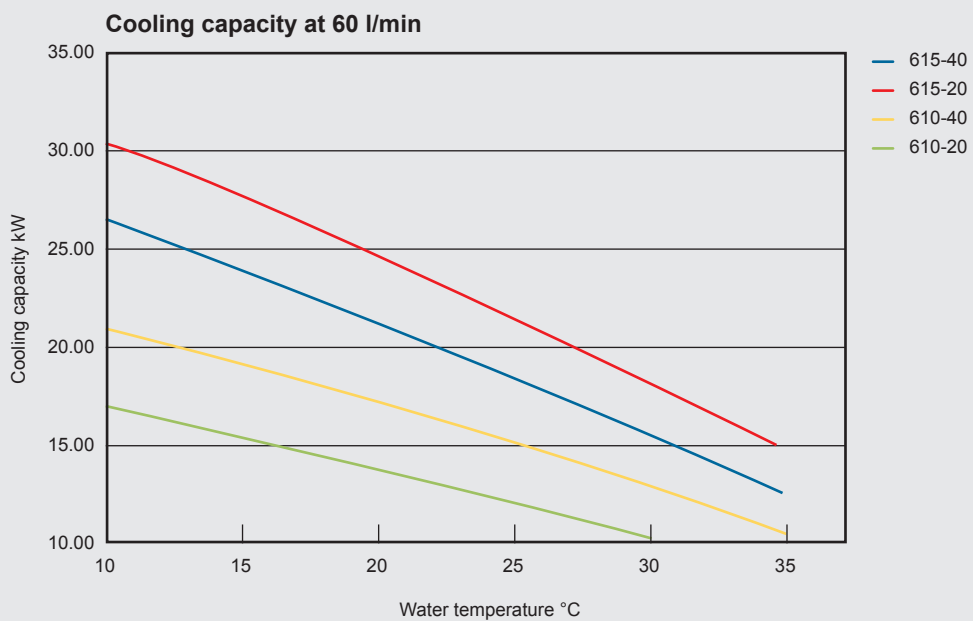
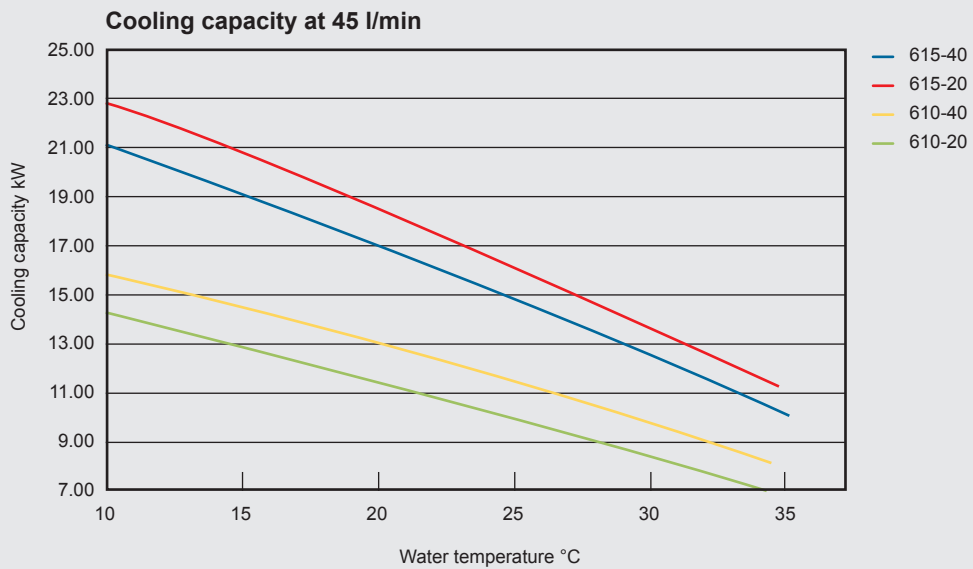
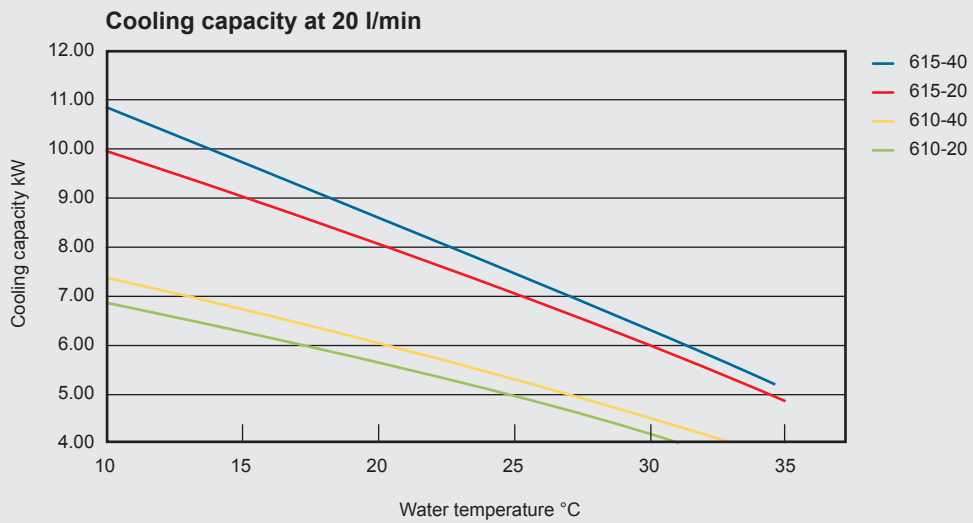
UKF-1

Operating condition: $T_{Oil} = +55\text{ }^{\circ}\text{C}$; oil ISO VG 46; $\frac{Q_{Oil}}{Q_{Water}} = 1$



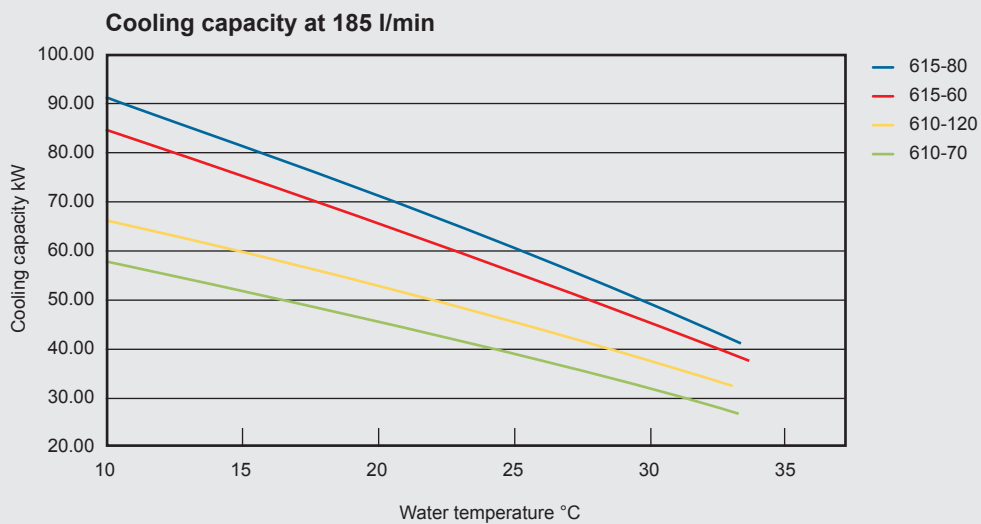
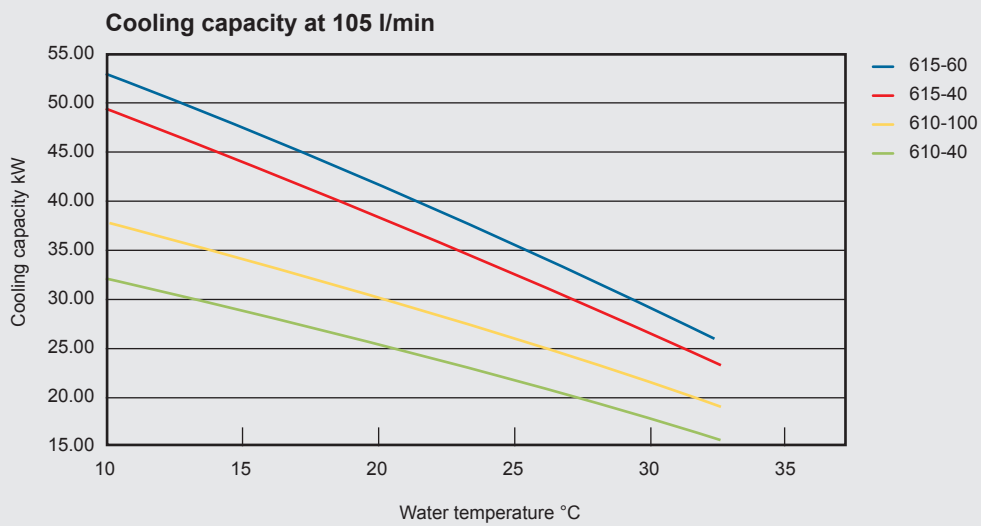
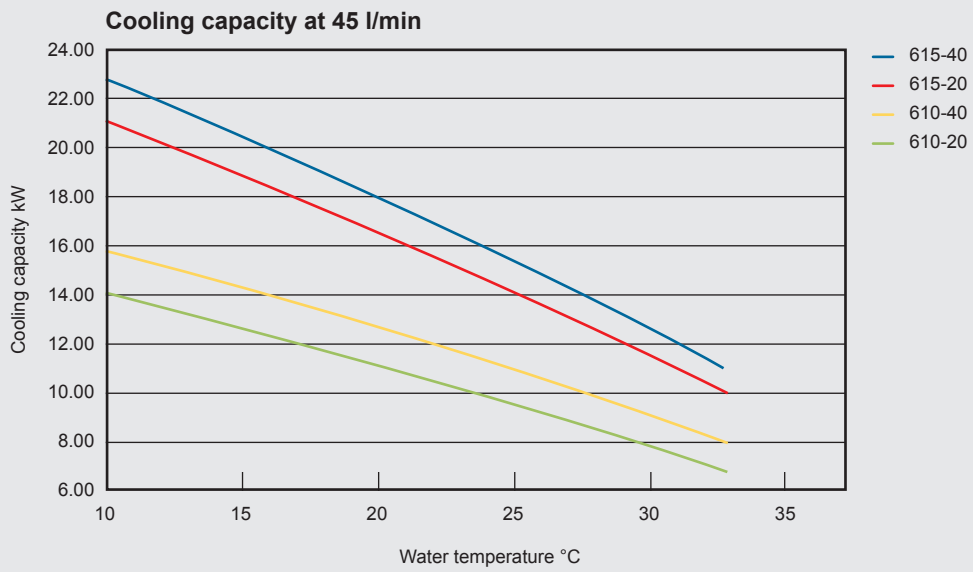
UKF-2

Operating condition: $T_{Oil} = +55\text{ }^{\circ}\text{C}$; oil ISO VG 46; $\frac{Q_{Oil}}{Q_{Water}} = 4$



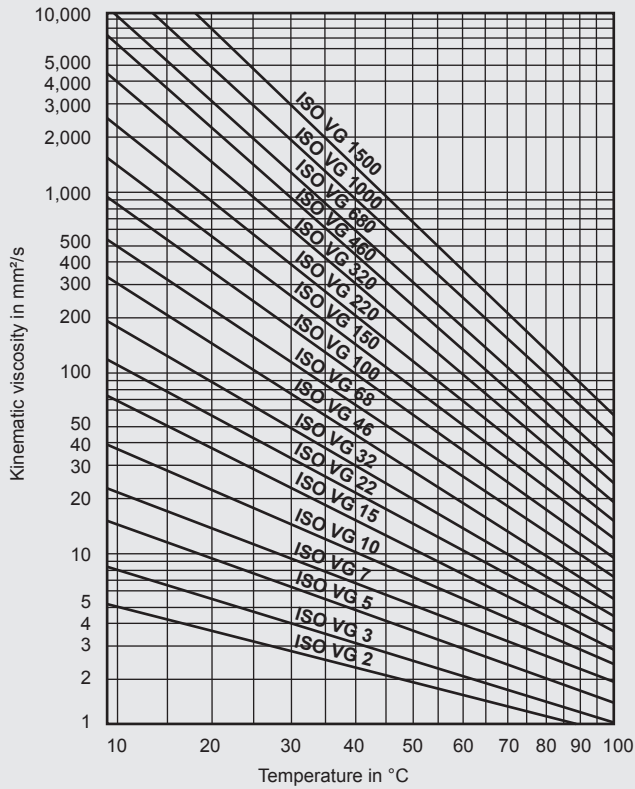
UKF-3

Operating condition: $T_{Oil} = +55\text{ °C}$; oil ISO VG 46; $\frac{Q_{Oil}}{Q_{Water}} = 4$

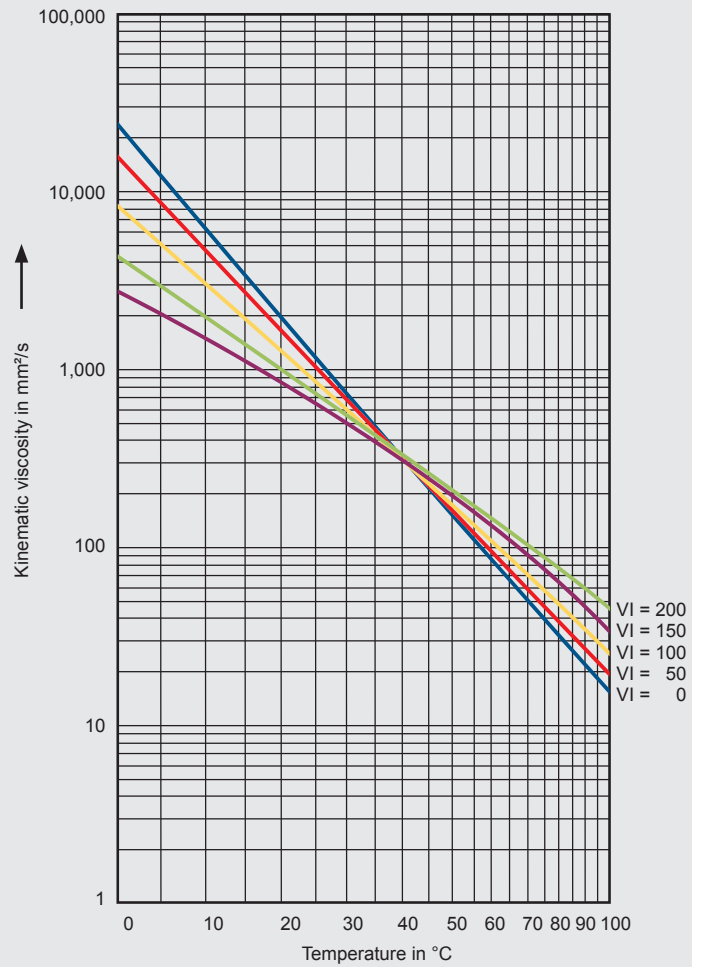


Viscosity

Viscosity / temperature graph
to DIN 51519 Viscosity index 50



Viscosity / temperature graph
Viscosity index 0 to 200 oil ISO VG 320



To DIN 51519, viscosity index 50,
Temperature of medium (oil) +10 °C to +80 °C; short-term
operation at higher viscosities (cold start) is permitted.

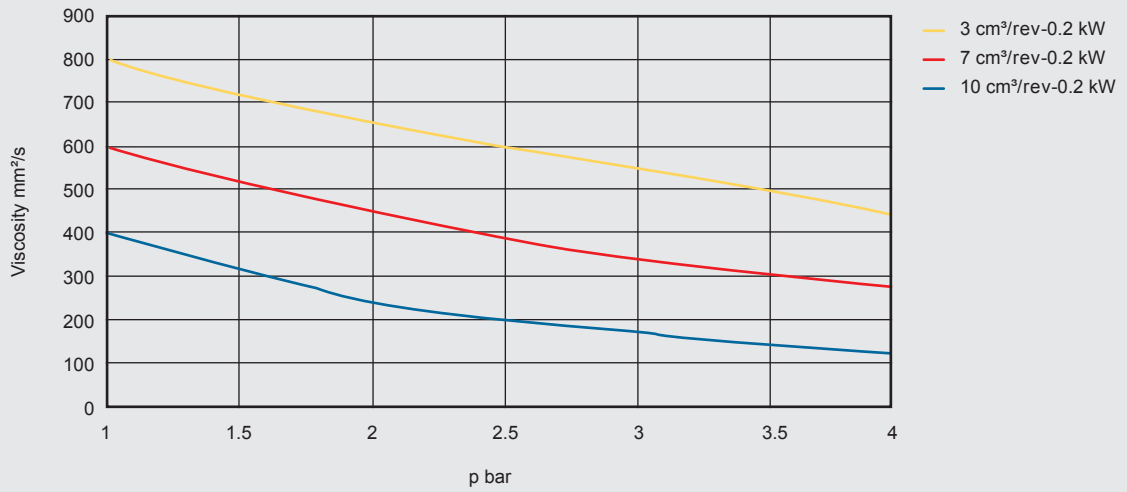
The viscosity index indicates how much the viscosity of the oil
changes with temperature.

It is a measure of the temperature properties of different oils.
The higher the viscosity index of an oil, the smaller the change
in viscosity in relation to the temperature.

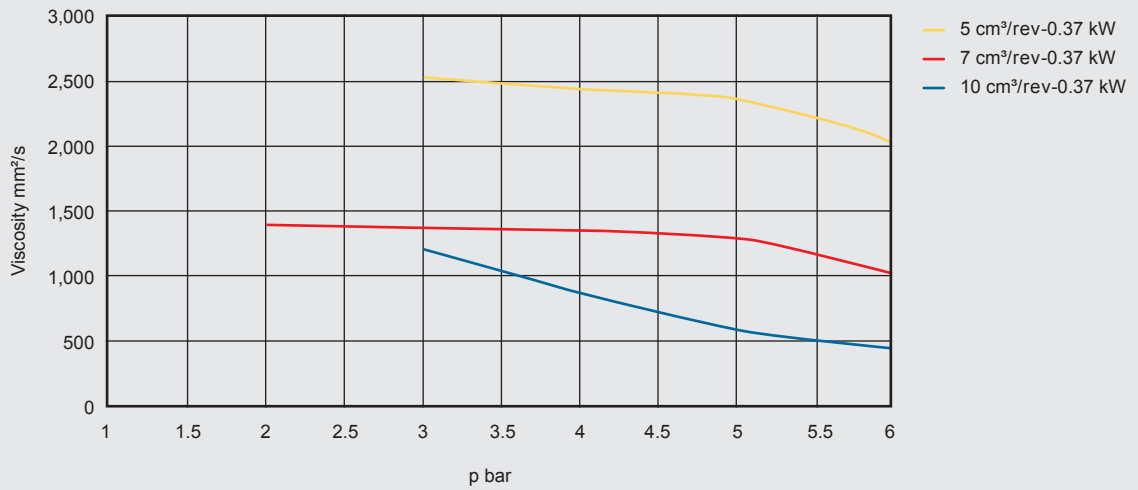
Graphs for motor-pump selection

UKF-1

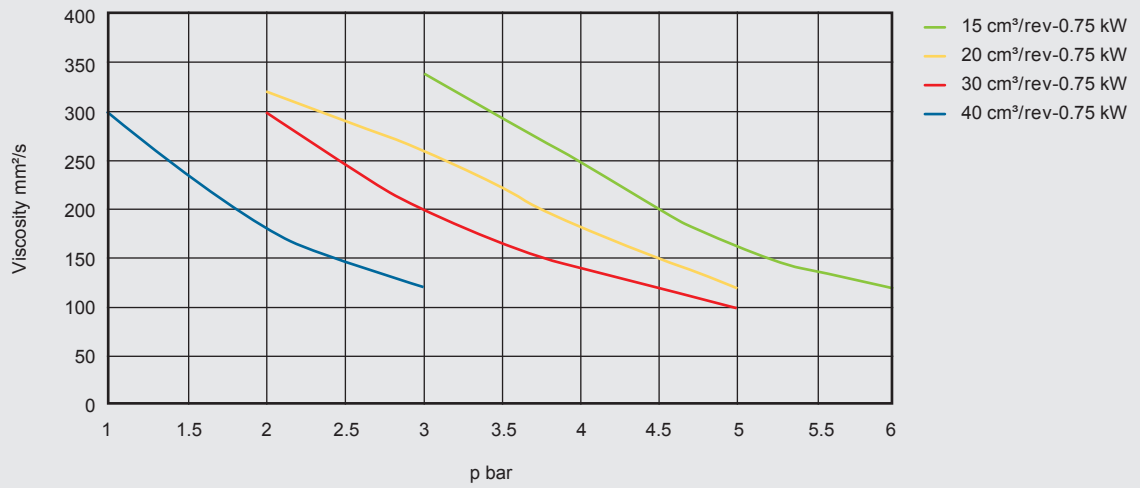
Motor: 0.2 kW DC



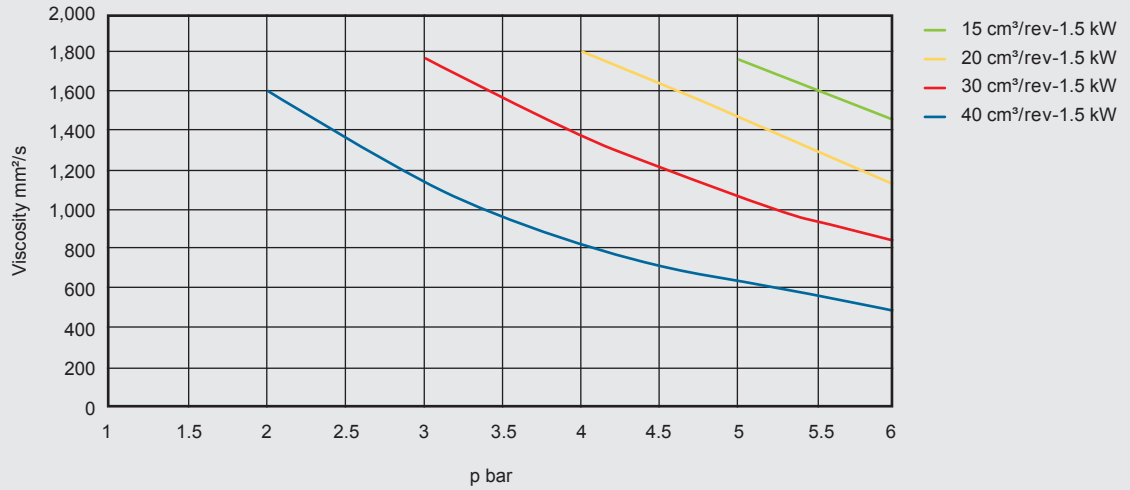
Motor: 0.37 kW



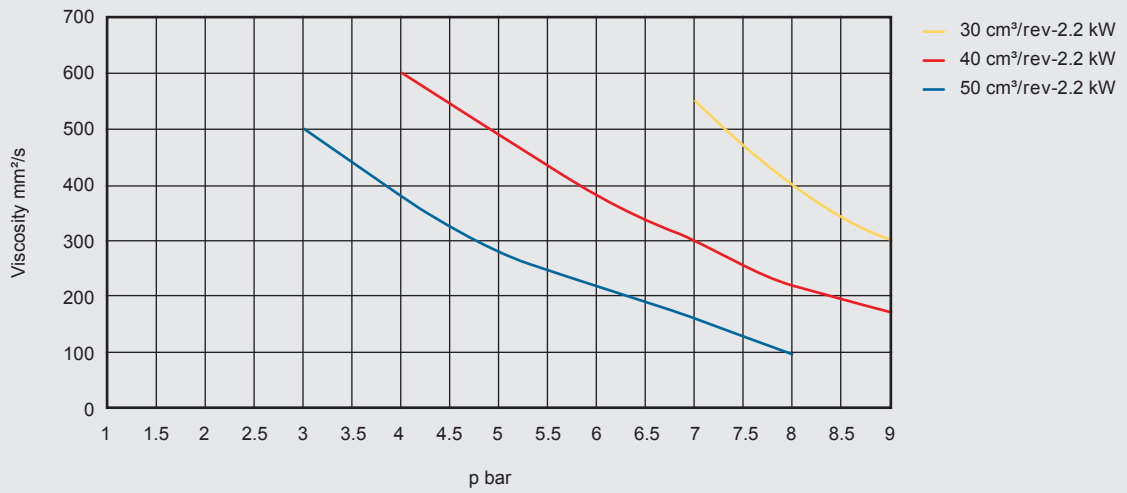
Motor: 0.75 kW



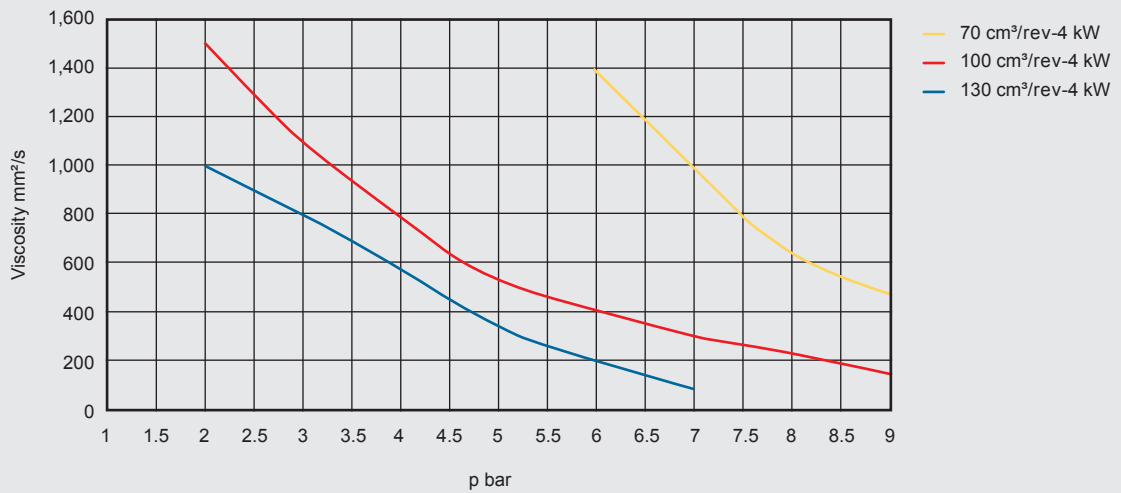
Motor: 1.5 kW



Motor: 2.2 kW



Motor: 4 kW



Notes

On piping

The pressure differential in a hydraulic line is dependent on:

- Flow rate
- Kinematic viscosity
- Pipe dimensions and can be estimated for hydraulic oils as follows:

$$\Delta p[\text{bar}] = 5.84 \times \frac{l [\text{m}]}{d^4 [\text{mm}]} \times Q \times \nu [\text{bar}]$$

l = Pipe length [m]

d = Internal diameter of pipe [mm]

Q = Flow rate [l/min]

ν = Kinematic viscosity [mm²/s]

This applies to straight pipe runs and hydraulic oils, and to laminar flow.

Additional threaded connections and pipe bends increase the pressure differential.

Notice

- As few threaded connections as possible
- Few pipe bends; if unavoidable, use large radius
- Difference in height between pump and oil level as small as possible
- Hoses must be suitable for a vacuum of min. 5,000 mmW
- Do not reduce pipe cross-section predetermined by the unit

Note

The information in this brochure relates to the operating conditions and applications described. For applications and operating conditions not described, please contact the relevant technical department. Subject to technical modifications.

HYDAC

HYDAC COOLING GMBH

INTERNATIONAL

Industriegebiet
66280 Sulzbach/Saar
Germany

Tel.: +49 6897 509-01
Fax: +49 6897 509-454

E-mail: cooling@hydac.com
Internet: www.hydac.com